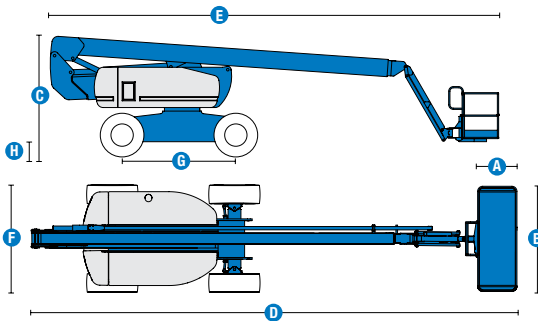


Rough terrain articulating booms

Z-80/60



MODEL

Z™-80/60

| MEASUREMENTS | US | Metric | | | | | | | | | | | | | | | | | | | | | | | | | | |
|---|--------------------------|-------------------------|-------------|--------|---|--------------------------|---------------------|--|-----------------|-------------------------|-------------------|------------|--------|-------------------|-------|---------|----------------------|-------|---------|---------|-----------|--------|-------------|-----------|--------|-----------------------------|-------|-------|
| Working height maximum* | 84 ft | 25.77 m | | | | | | | | | | | | | | | | | | | | | | | | | | |
| Platform height maximum | 78 ft | 23.77 m | | | | | | | | | | | | | | | | | | | | | | | | | | |
| Horizontal reach maximum | 60 ft | 18.29 m | | | | | | | | | | | | | | | | | | | | | | | | | | |
| Up and over clearance maximum | 29 ft | Below ground reach | 15 ft 10 in | 4.83 m | A Platform length - 8 ft / 6 ft / 5 ft / 4 ft | 3ft/2ft6in/2ft6in/2ft6in | .91m/.76m/.76m/.76m | B Platform width - 8 ft / 6 ft / 5 ft / 4 ft | 8ft/6ft/5ft/4ft | 2.44m/1.83m/1.52m/1.22m | C Height - stowed | 9 ft 10 in | 3.00 m | D Length - stowed | 37 ft | 11.27 m | E Length - transport | 37 ft | 11.27 m | F Width | 8 ft 2 in | 2.49 m | G Wheelbase | 9 ft 4 in | 2.85 m | H Ground clearance - center | 12 in | .30 m |
| Below ground reach | 15 ft 10 in | 4.83 m | | | | | | | | | | | | | | | | | | | | | | | | | | |
| A Platform length - 8 ft / 6 ft / 5 ft / 4 ft | 3ft/2ft6in/2ft6in/2ft6in | .91m/.76m/.76m/.76m | | | | | | | | | | | | | | | | | | | | | | | | | | |
| B Platform width - 8 ft / 6 ft / 5 ft / 4 ft | 8ft/6ft/5ft/4ft | 2.44m/1.83m/1.52m/1.22m | | | | | | | | | | | | | | | | | | | | | | | | | | |
| C Height - stowed | 9 ft 10 in | 3.00 m | | | | | | | | | | | | | | | | | | | | | | | | | | |
| D Length - stowed | 37 ft | 11.27 m | | | | | | | | | | | | | | | | | | | | | | | | | | |
| E Length - transport | 37 ft | 11.27 m | | | | | | | | | | | | | | | | | | | | | | | | | | |
| F Width | 8 ft 2 in | 2.49 m | | | | | | | | | | | | | | | | | | | | | | | | | | |
| G Wheelbase | 9 ft 4 in | 2.85 m | | | | | | | | | | | | | | | | | | | | | | | | | | |
| H Ground clearance - center | 12 in | .30 m | | | | | | | | | | | | | | | | | | | | | | | | | | |

PRODUCTIVITY

| | | |
|----------------------------------|----------------------|-----------|
| Lift capacity | 500 lbs | 227 kg |
| Platform rotation | 160° | |
| Vertical jib rotation | 135° | |
| Turntable rotation | 360° continuous | |
| Turntable tailswing - riser up | 3 ft 10 in | 1.17 m |
| Turntable tailswing - riser down | 7 ft 4 in | 2.24 m |
| Drive speed - stowed | 3.0 mph | 4.83 km/h |
| Drive speed - raised** | 0.88 mph | 1.1 km/h |
| Lift speed to full height | 76 sec | |
| Gradeability - 2WD - stowed*** | 30% | |
| Gradeability - 4WD - stowed*** | 45% | |
| Turning radius - 2WS inside | 14 ft 6 in | 4.42 m |
| Turning radius - 2WS outside | 24 ft 6 in | 7.47 m |
| Turning radius - 4WS inside | 7 ft | 2.13 m |
| Turning radius - 4WS outside | 15 ft | 4.57 m |
| Controls | 12 V DC proportional | |
| Tyres | 18-625 NHS | |

WEIGHT****

| | | |
|-----|------------|-----------|
| 2WS | 35,900 lbs | 16,284 kg |
| 4WS | 37,500 lbs | 17,010 kg |

RANGE OF MOTION Z™-80/60

