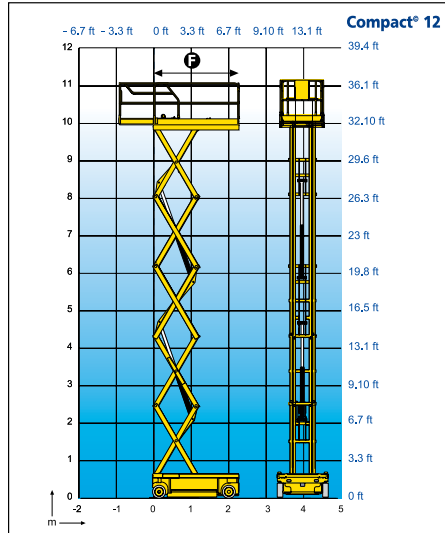
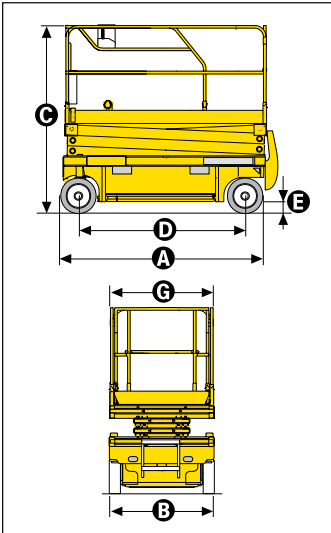


Electric scissor lifts

Compact 10 & 12



SPECIFICATIONS

	Compact 10		Compact 12	
Working height	10,14 m	33ft3in	12 m	39ft4in
Platform height	8,14 m	26ft8in	10 m	32ft10in
Driveable up to	8,14 m	26ft 8in	8 m	26ft3in
Maximum capacity	450 kg	990 lb	300 kg	660 lb
A Length	2,31 m	7ft 7in	2,31 m	7ft 7in
with access steps	2,46 m	8 ft 2in	2,46 m	8 ft 2in
B Width	1,20 m	3ft 11in	1,20 m	3ft 11in
C Height (guardrails)	2,26 m	7ft5in	2,38 m	7ft10in
Height (plat-form)	1,14 m	3ft9in	1,26 m	4ft2in
D Wheelbase	1,86 m	6ft 1in	1,86 m	6ft 1in
E Ground clearance	13 cm	5in	13 cm	5in
with deployed pot- hole	2,5 cm	1in	2,5 cm	1in
F x G Platform size	2,3m x 1,2m		91in X 47in	
Platform extension	0,92 m	36in	0,92 m	36in
Capacity on extension	150 kg	330 lb	150 kg	330 lb
Non marking tyres	solid 38x13x5cm		solid 15x5x2 in	
Weight	2 330 kg	5135 lb	2 630 kg	5800 lb