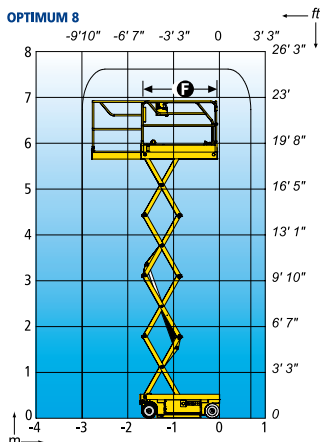
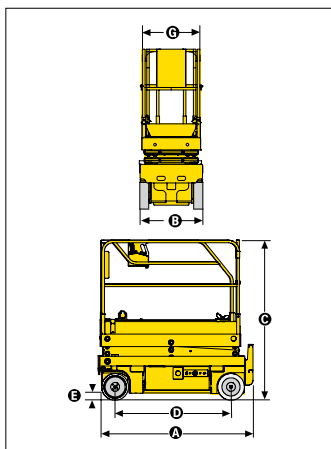


# Narrow aisle electric scissor lifts

## OPTIMUM 8



### SPECIFICATIONS

	OPTIMUM 8	
Working height	7.76 m	25 ft 5 in
Platform height	5.76 m	18 ft 11 in
Driveable at full height	7.6 m	25 ft
Platform capacity	230 kg	507 lb
<b>A</b> Stowed length	1.73 m	5 ft 8 in
With access steps	1.88 m - 6 ft 6 in	
<b>B</b> Width	0.76 m - 2 ft 6 in	
<b>C</b> Stowed height (guardrails)	2 m	6 ft 6 in
Stowed height (platform)	0.89 m	2 ft 10 in
<b>D</b> Wheelbase	1.38 m - 4 ft 6 in	
<b>E</b> Ground clearance	8 cm - 3 in	
With deployed Pot Hole	2.2 cm - 0.5 in	
<b>F</b> x <b>G</b> Platform size	1.65 x 0.7 m - 5 ft 8 in X 2ft 3 in	
Extension: size	0.92 m - 3 ft	
Drive speed	0.6-4.55 km/h - 0.37-2.83 mph	
Outside turning radius	1.70 m - 5 ft 7 in	
Lift / lower speed (sec.)	23/32	
Gradeability	25%	
Tilt alarm	2°	
Controls	Proportional	
Batteries	180 Amp/h	
Tyres (solid / non marking)	Solid Dia 317	
Hydraulic tank	18 l / 4 gal	
Weight	1 420 kg	3,130 lb